



# M-VIEW MODULAR MONITOR WALL



## M-VIEW

Winsted's M-View is a custom built, extruded aluminum monitor wall that is flexible and completely modular. Each M-View is designed and manufactured to support your specific monitor configuration and fit in your unique space.

The M-View is fabricated from light-weight, high-strength extruded aluminum with a black anodized finish. The monitor wall can support any size LCD and/or plasma screen and can be configured as an in-line, concave, or convex mounting solution. The M-View seamlessly integrates technology and space to optimize viewing angles, improve operator comfort, and increase productivity.

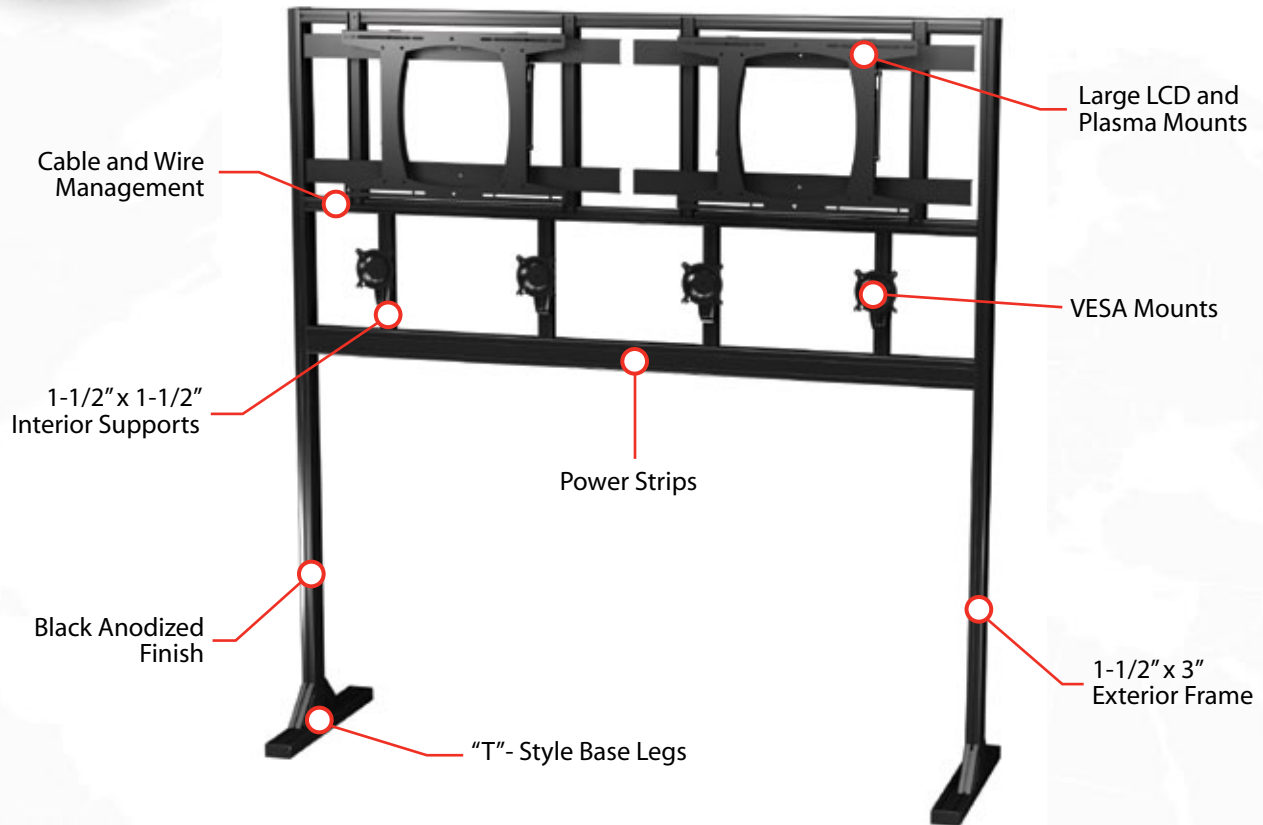


Encompass-2 with M-View



# M-VIEW MODULAR MONITOR WALL

## M-VIEW FEATURES & HIGHLIGHTS



### LARGE LCD AND PLASMA MOUNTS

Our heavy-duty large LCD/plasma mounts combine a low-profile design with integrated security features. The mount features a rapid leveling system, quick connect/disconnect installation, fingertip-tilt, and a pull-out bottom for convenient cable access. Allows for portrait or landscape flat panel installation.

### VESA MOUNTS

Universal VESA mounts easily attach flat panel monitors to the M-View Monitor Wall and provide smooth pivot and pitch adjustment for different viewing angles and ergonomic needs. The VESA mounts move freely along the M-View framework and are available to support any monitor.

### 1-1/2" X 3" EXTERIOR FRAME

The exterior framing is constructed of 1-1/2" x 3" extruded aluminum for superior strength and flexibility. Frames can be manufactured to any height and length.

### POWER STRIPS

Ten, eleven, or twenty outlet power strips are available with on/off switches. Power strips mount to the rear of the horizontal and/or vertical support frames.

### "T"-STYLE BASE LEGS

M-View legs are "T"-shaped with two 45° gussets for stability. Base legs must be secured to the floor, or the frame secured to a wall, for proper performance.

### BLACK ANODIZED FINISH

All M-View frames feature a black anodized finish that fits seamlessly into any environment. In use - the M-View frame blends in with attached monitors, creating a pleasing shadow effect.

### 1-1/2" X 1-1/2" INTERIOR SUPPORTS

The interior supports are constructed of extruded aluminum for superior strength and flexibility. Frames can be manufactured to any height and length.

### CABLE AND WIRE MANAGEMENT

Multiple raceway channels are available for wire management. Run the cables horizontally or vertically using model 42750 [wire channels]. Use model 42756 [solid wall channel] to run cables vertically to the floor. All wire channels feature removable covers.

**FREE**  
**DESIGN**  
**SERVICE**



# M-VIEW MODULAR MONITOR WALL

## M-VIEW COMPONENTS

### VESA MOUNTS

VESA monitor mounts allow smooth range of motion and hassle free, fingertip positioning of the monitors. Low profile appearance and sleek, attractive design conceals all hardware.

- Depth from Wall:** 2.94" (74 mm)
- Dimensions (HxWxD):** 7.25" x 4.69" x 2.94" (184 x 119 x 74 mm)
- Tilt:** +/-15°
- Pivot:** 180° (depends on equipment size)
- Color:** Black
- Weight Capacity:** 40 lbs (18.2kg)
- VESA Compatibility:** All standard interface sizes



51238 (75 & 100mm)  
51239 (200mm)  
(others available)

### LARGE LCD/PLASMA MOUNT

Heavy-Duty construction provides a rock-solid mounting solution for monitors up to 65" in width and/or 200 pounds in weight.

- Overall Dimensions:** (H x W x D): 18.38" x 26" x 1.52" (467 x 660 x 39 mm)
- Pitch:** Control from 0-15°
- Mounts to:** 16", 20" & 24" on-center supports
- Compatibility:** Winsted will provide the proper mount based on model number
- Color:** Black
- Weight Capacity:** 200 lbs. (90.71 kg)



11103

### EXTERIOR FRAME AND INTERIOR SUPPORTS

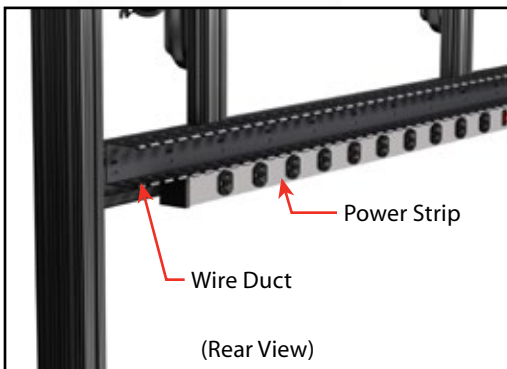
The exterior frames (1-1/2" x 3") and interior supports (1-1/2" x 1-1/2") are constructed of extruded 6105-T5 aluminum with "T"-Slots. T-Slotted technology is easy to construct with simple hand tools. It is also light-weight, aesthetically pleasing, and easy to reconfigure for future needs. The black anodized finish is attractive and smooth to the touch.

- Yield strength:** 35,000 lbs./sq. in. minimum
- Tensile strength:** 38,000 lbs./sq. in. minimum
- Rockwell hardness:** approximately E-88
- DIN Specifications:** Extrusion conforming to DIN 17 615
- Twist per foot:** not to exceed .25 degree and total twist over 20 feet not to exceed 1.5 degrees
- Flatness:** .004 per inch of width
- Straightness:** 0.0125" per foot of length, not to exceed .120" over 20 feet of length



1-1/2" x 3"

1-1/2" x 1-1/2"



Wire Duct  
Power Strip  
(Rear View)

### CABLE MANAGEMENT AND POWER STRIPS

Winsted offers many options for proper cable management. Wire ducts can be mounted vertically and/or horizontally. Ducts come with solid walls or scored walls for easy breakout. Power strips are available with ten, eleven, or twenty outlets.

#### Power Strips

Model	Description	Length
10710	10 Outlet - 15 Amp	34"
10712	10 Outlet - 15 Amp	68"
10713	20 Outlet - 15 Amp	68"
10684	11 Outlet - 20 Amp	68"

#### Wiring Ducts

Model	Description
42750	4"H x 2"W x 72" L (102 x 51 x 1829mm) Scored Walls
42757	2"H x 2"W x 72" L (51 x 51 x 1829mm) Scored Walls
42756	1-1/2"H x 1-1/2"W x 72" L (38 x 38 x 1829mm) Solid Walls